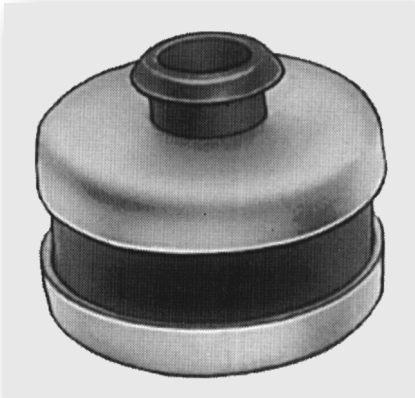


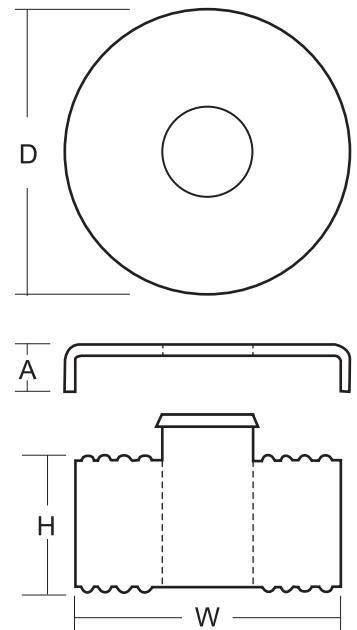
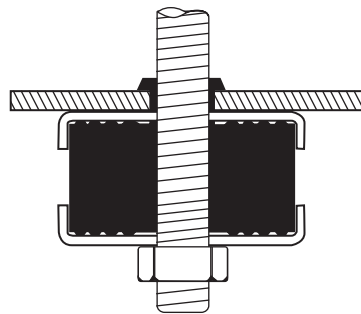
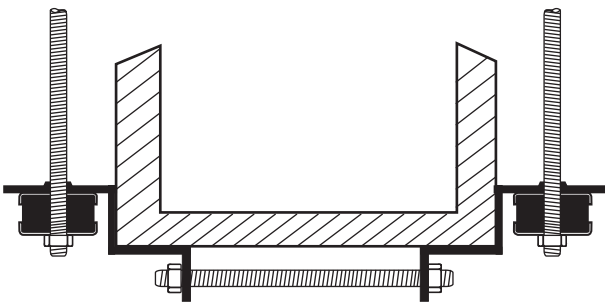
DURADUCT[®]

A. V. MOUNT



Product Feature

- * To minimise vibration and noise due to Vibration.
- * Extended rubber sleeve to prevent metal to metal contact.
- * Supplied complete with galvanised steel cap for equal load distribution.
- * Also available without galvanised steel caps
- * Suitable for use with mounting rails, rolled steel channels or angles



ITEM CODE	SUITABLE HANGER ROD MM	MOUNT DIA W	MOUNT HEIGHT H	CAP DIA D	CAP HEIGHT A	LOAD IN Kgs.	COMPRESSION IN MM
AVM 50	8 & 10	40	23	44	8	65	5
						150	8
AVM 25	6 & 8	30	17	32	5	35	5
						100	8

NOTE : * RESEARCH & DEVELOPMENT IS A CONTINUOUS PROCESS WITH US. AS IMPROVEMENTS ARE MADE FROM TIME TO TIME, SPECIFICATIONS / DIMENSIONS MAY CHANGE WITHOUT NOTICE.

* TOLERANCES IN DIMENSIONS ARE AS PER INTERNATIONAL STANDARDS.



RICHFIELD[®]

GROUP OF COMPANIES

205 / 206, Morya House, Veera Industrial Estate,
Off New Link Road, Andheri (W), Mumbai 400 053. INDIA.
Tel. : 91-22-2673 3171 / 2673 2947 Fax : + 91-22-2673 3147
E-mail : abasrani@rediffmail.com